

Robin CycFX 8- DMX protocol

Version 1.4

Mode/Channel							Value	Function	Type of control
1	2	3	4	5	6	7			
1	1	1	1	1	1	1	0-255	Tilt (8 bit) Tilt movement by 270°	proportional
-	2	2	2	-	2	2	0-255	Tilt (16 bit) Fine movement of tilt	proportional
2	3	3	3	2	3	3	0	Tilt speed (time) Standard mode	Step step
							1	Max. Speed mode	
							2-255	Tilt speed Speed from max. to min.	proportional
							2-255	Tilt time Time from 0.2 s to 25.5 s.	proportional
3	4	4	4	3	4	4	0-9	Special functions Reserved <i>To activate following functions , stop in DMX value for at least 3 sec. and shutter must be closed at least 3 sec. (Shutter channel 13/19 must be at range of 0-31 DMX). Corresponding menu items are temporarily overrided except DMX Input.</i>	step step
							10-14	DMX input: Wired DMX *	
							15-19	DMX input: Wireless DMX* * function is active only 10 seconds after switching the fixture on	
							20-29	Reserved	step
							30-39	RGBW colour mixing mode	step
							40-49	CMY colour mixing mode	step
							50-59	Tilt speed mode	step
							60-69	Tilt time mode	step
							70-79	Blackout while tilt moving	step
							80-89	Disabled blackout while tilt moving	step
							90-99	Silent zoom On	step
							100-109	Silent zoom Off	step
							110-119	White counting On	step
							120-129	White counting Off	step
							130-139	Reserved <i>To activate following reset function, stop in DMX value for at least 3 sec.</i>	step
							140-149	Tilt reset	
							150-179	Reserved	step
180-189	Zoom reset								
190-199	Reserved	step							
200-209	Total reset								
210-255	Reserved								
4	5	5	5	4	5	5	0-255	Red (Cyan) coarse - all pixels ** Red LEDs saturation control (0-100%)	proportional
-	6	6	6	-	6	6	0-255	Red (Cyan) fine - all pixels ** Red LEDs saturation fine control min.—>max.	proportional
5	7	7	7	5	7	7	0-255	Green (Magenta) coarse - all pixels ** Green LEDs saturation control (0-100%)	proportional

Robin CycFX 8

-	8	8	8	-	8	8	0-255	Green (Magenta) fine - all pixels ** Green LEDs saturation fine control min.—>max.	proportional
6	9	9	9	6	9	9	0-255	Blue (Yellow) coarse - all pixels ** Blue LEDs saturation control (0-100%)	proportional
-	10	10	10	-	10	10	0-255	Blue (Yellow) fine - all pixels ** Blue LEDs saturation fine control min.—>max.	proportional
7	11	11	11	7	11	11	0-255	White coarse (RGBW mode only) - all pixels ** White LEDs saturation control (0-100%)	proportional
-	12	12	12	-	12	12	0-255	White fine (RGBW mode only) - all pixels ** White LEDs saturation fine control min.—>max.	proportional
8	13	13	13	8	13	13	0 1-255	CTO (All pixels) No function Colour temperature correction	step proportional
9	14	14	14	9	14	14	0 1-2 3 4-5 6 7-9 10-12 13-15 16 17-55 56 57- 95 96 97-134 135 136-174 175 176-214 215 216- 246 247 248-251 252-255	Virtual colour wheel (All pixels) No function White 2700 K White 2700 K (tungsten emulation)* White 3200 K White 3200 K (tungsten emulation)* White 4200 K White 5600 K White 8000 K Blue (Blue=full, Red+Green+White=0) Red=0, Green→up,Blue =full, White=0 Light Blue (Red=0, Green=full, Blue =full, white=0) Red=0, Green=full, Blue→down, White=0 Green (Red=0, Green=full, Blue =0, White=0) Red→up, Green=full, Blue=0, White=0 Yellow (Red=full, Green=full, Blue=0,White=0) Red=full, Green→down, Blue=0, White=0 Red (Red=full, Green=0, Blue=0, White=0) Red=full, Green=0, Blue→up, White=0 Magenta (Red=full, Green=0, Blue=full, White=0) Red→down, Green=0, Blue=full, White=0 Blue (Red=0, Green=0, Blue=full, White=0) Rainbow effect(with fade time) from min.->max. speed Rainbow effect(without fade time)from min.->max.speed	step step step step step step step step step step proportional step proportional step proportional step proportional step proportional step proportional step proportional proportional
10	15	15	15	10	15	15	0-2 3-4 5-6 : 181-182 183-255	Pixel effects (see table below DMX chart) No function Effect 1 Effect 2 : Effect 90 Reserved	step step : step
11	16	16	16	11	16	16	0-63 64-127 128-191 192-255	Pixel effects speed Speed from min. —>max. without fade time Speed from max. —>min. without fade time (op. direction) Speed from min. —>max. with fade time Speed from max. —>min. with fade time (op. direction)	proportional proportional proportional proportional

Robin CycFX 8

12	17	17	17	12	17	17	0-255	Zoom coarse Zoom from min. to max. beam angle	proportional
-	18	18	18	-	18	18	0-255	Zoom fine Fine zooming from min.—>max.	proportional
13	19	19	19	13	19	19	0-31 32-63 64-95 96-127 128-143 144-159 160-191 192-223 224-255	Shutter/ Strobe (All pixels) Shutter closed Shutter open Strobe-effect from slow to fast Shutter open Opening pulses in sequences slow--> fast Closing pulses in sequences fast --> slow Shutter open Random strobe-effects from slow to fast Shutter open	step step proportional step proportional proportional step proportional step
14	20	20	20	14	20	20	0 - 255	Dimmer coarse (All pixels) Dimmer intensity from 0% to 100%	proportional
-	21	21	21	-	21	21	0 - 255	Dimmer fine (All pixels) Dimmer intensity from min.—>max.	proportional
-	-	22	22	-	22	22	0-255	Red pixel 1 Red LED saturation control (0-100%)	proportional
-	-	23	23	-	23	23	0-255	Green pixel 1 Green LED saturation control (0-100%)	proportional
-	-	24	24	-	24	24	0-255	Blue pixel 1 Blue LED saturation control (0-100%)	proportional
-	-	-	-	-	25	25	0-255	White pixel 1 White LED saturation control (0-100%)	proportional
-	-	-	25	15	-	26	0-255	Dimmer 1 Dimmer intensity from 0% to 100%	proportional
-	-	25	26	-	26	27	0-255	Red pixel 2 Red LED saturation control (0-100%)	proportional
-	-	26	27	-	27	28	0-255	Green pixel 2 Green LED saturation control (0-100%)	proportional
-	-	27	28	-	28	29	0-255	Blue pixel 2 Blue LED saturation control (0-100%)	proportional
-	-	-	-	-	29	30	0-255	White pixel 2 White LED saturation control (0-100%)	proportional
-	-	-	29	16	-	31	0-255	Dimmer 2 Dimmer intensity from 0% to 100%	proportional
-	-	28	30	-	30	32	0-255	Red pixel 3 Red LED saturation control (0-100%)	proportional
-	-	29	31	-	31	33	0-255	Green pixel 3 Green LED saturation control (0-100%)	proportional
-	-	30	32	-	32	34	0-255	Blue pixel 3 Blue LED saturation control (0-100%)	proportional

Robin CycFX 8

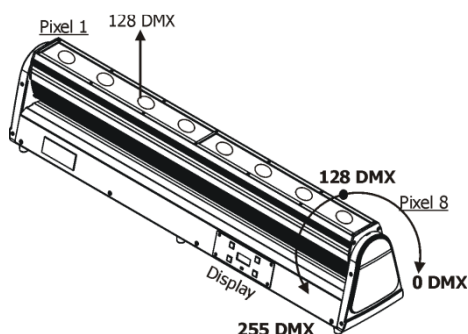
-	-	-	-	-	33	35	0-255	White pixel 3 White LED saturation control (0-100%)	proportional
-	-	-	33	17	-	36	0-255	Dimmer 3 Dimmer intensity from 0% to 100%	proportional
-	-	31	34	-	34	37	0-255	Red pixel 4 Red LED saturation control (0-100%)	proportional
-	-	32	35	-	35	38	0-255	Green pixel 4 Green LED saturation control (0-100%)	proportional
-	-	33	36	-	36	39	0-255	Blue pixel 4 Blue LED saturation control (0-100%)	proportional
-	-	-	-	-	37	40	0-255	White pixel 4 White LED saturation control (0-100%)	proportional
-	-	-	37	18	-	41	0-255	Dimmer 4 Dimmer intensity from 0% to 100%	proportional
-	-	34	38	-	38	42	0-255	Red pixel 5 Red LED saturation control (0-100%)	proportional
-	-	35	39	-	39	43	0-255	Green pixel 5 Green LED saturation control (0-100%)	proportional
-	-	36	40	-	40	44	0-255	Blue pixel 5 Blue LED saturation control (0-100%)	proportional
-	-	-	-	-	41	45	0-255	White pixel 5 White LED saturation control (0-100%)	proportional
-	-	-	41	19	-	46	0-255	Dimmer 5 Dimmer intensity from 0% to 100%	proportional
-	-	37	42	-	42	47	0-255	Red pixel 6 Red LED saturation control (0-100%)	proportional
-	-	38	43	-	43	48	0-255	Green pixel 6 Green LED saturation control (0-100%)	proportional
-	-	39	44	-	44	49	0-255	Blue pixel 6 Blue LED saturation control (0-100%)	proportional
-	-	-	-	-	45	50	0-255	White pixel 6 White LED saturation control (0-100%)	proportional
-	-	-	45	20	-	51	0-255	Dimmer 6 Dimmer intensity from 0% to 100%	proportional
-	-	40	46	-	46	52	0-255	Red pixel 7 Red LED saturation control (0-100%)	proportional
-	-	41	47	-	47	53	0-255	Green pixel 7 Green LED saturation control (0-100%)	proportional
-	-	42	48	-	48	54	0-255	Blue pixel 7 Blue LED saturation control (0-100%)	proportional
-	-	-	-	-	49	55	0-255	White pixel 7 White LED saturation control (0-100%)	proportional

Robin CycFX 8

-	-	-	49	21	-	56	0-255	Dimmer 7 Dimmer intensity from 0% to 100%	proportional
-	-	43	50	-	50	57	0-255	Red pixel 8 Red LED saturation control (0-100%)	proportional
-	-	44	51	-	51	58	0-255	Green pixel 8 Green LED saturation control (0-100%)	proportional
-	-	45	52	-	52	59	0-255	Blue pixel 8 Blue LED saturation control (0-100%)	proportional
-	-	-	-	-	53	60	0-255	White pixel 8 White LED saturation control (0-100%)	proportional
-	-	-	53	22	-	61	0-255	Dimmer 8 Dimmer intensity from 0% to 100%	proportional

*Halogen lamp effect during dimming

Tilt movement direction and pixel order:



Channel Pixel effects

DMX value	Effect	Type of Control
0-2	No function	Step
3-4	Effect 1	Step
5-6	Effect 2	Step
7-8	Effect 3	Step
9-10	Effect 4	Step
11-12	Effect 5	Step
13-14	Effect 6	Step
15-16	Effect 7	Step
17-18	Effect 8	Step
19-20	Effect 9	Step
21-22	Effect 10	Step
23-24	Effect 11	Step
25-26	Effect 12	Step
27-28	Effect 13	Step
29-30	Effect 14	Step
31-32	Effect 15	Step
33-34	Effect 16	Step
35-36	Effect 17	Step
37-38	Effect 18	Step
39-40	Effect 19	Step
41-42	Effect 20	Step

Robin CycFX 8

43-44	Effect 21	Step
45-46	Effect 22	Step
47-48	Effect 23	Step
49-50	Effect 24	Step
51-52	Effect 25	Step
53-54	Effect 26	Step
55-56	Effect 27	Step
57-58	Effect 28	Step
59-60	Effect 29	Step
61-62	Effect 30	Step
63-64	Effect 31	Step
65-66	Effect 32	Step
67-68	Effect 33	Step
69-70	Effect 34	Step
71-72	Effect 35	Step
73-74	Effect 36	Step
75-76	Effect 37	Step
77-78	Effect 38	Step
79-80	Effect 39	Step
81-82	Effect 40	Step
83-84	Effect 41	Step
85-86	Effect 42	Step
87-88	Effect 43	Step
89-90	Effect 44	Step
91-92	Effect 45	Step
93-94	Effect 46	Step
95-96	Effect 47	Step
97-98	Effect 48	Step
99-100	Effect 49	Step
101-102	Effect 50	Step
103-104	Effect 51	Step
105-106	Effect 52	Step
107-108	Effect 53	Step
109-110	Effect 54	Step
111-112	Effect 55	Step
113-114	Effect 56	Step
115-116	Effect 57	Step
117-118	Effect 58	Step
119-120	Effect 59	Step
121-122	Effect 60	Step
123-124	Effect 61	Step
125-126	Effect 62	Step
127-128	Effect 63	Step
129-130	Effect 64	Step
131-132	Effect 65	Step
133-134	Effect 66	Step
135-136	Effect 67	Step
137-138	Effect 68	Step
139-140	Effect 69	Step
141-142	Effect 70	Step
143-144	Effect 71	Step
145-146	Effect 72	Step

Robin CycFX 8

147-148	Effect 73	Step
149-150	Effect 74	Step
151-152	Effect 75	Step
153-154	Effect 76	Step
155-156	Effect 77	Step
157-158	Effect 78	Step
159-160	Effect 79	Step
161-162	Effect 80	Step
163-164	Effect 81	Step
165-166	Effect 82	Step
167-168	Effect 83	Step
169-170	Effect 84	Step
171-172	Effect 85	Step
173-174	Effect 86	Step
175-176	Effect 87	Step
177-178	Effect 88	Step
179-180	Effect 89	Step
181-182	Effect 90	Step
183-255	Reserved	